

315-800-190 8 HP Snow Thrower (1985)
Blower Housing Assembly

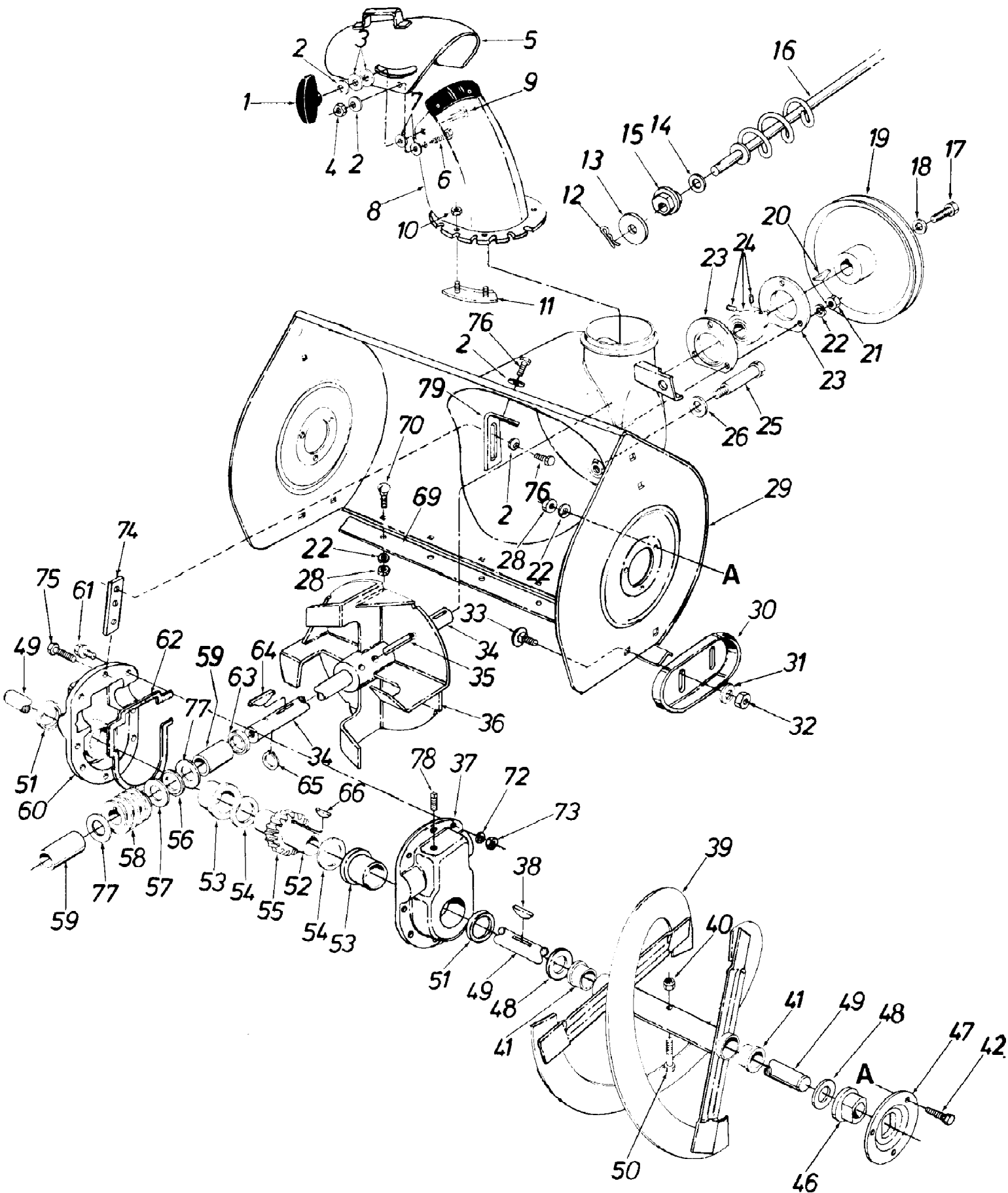
Page 2 of 11

Ref #	Part Number	Qty	S/P/F	Description
1	710-0600	1	/P	Hex Wash. Self-Tap Scr. 5/16-24 x .50 " Lg.
2	731-0321	1	S	Belt Cover
3	714-0118	1	/P	Sq. Key 1/4" x 1.50" Lg.
4		1		Engine
5	712-0267	1	S	Hex Nut 5/16-18 Thd.*
6	736-0119	1	S	L-Wash. 5/16" Scr.*
7	717-0522	1		Engine Spacer Ass'y (Used w/ Tech. Engine)
8	736-0105	1	/P	Bell-Wash. .40 I.D. x .88 O.D.
9	738-0215	1	S	Shld. Scr. .498" Dia. x 3.00" Lg.
10	732-0303	1	S	Ext Spring .38 O.D. x 3.18" Lg.
11	712-0375	1	/P	Hex Cent. L-Nut 3/8-16 Thd.
12	05491	1		Engine Brkt. Ass'y.
13	710-0198	1	S	Hex Sems Scr. 5/16-18 x .75" Lg.*
14	05487	1		Frame Ass'y.
15	736-0264	1	S	FI-Wash. .345 0 I.D. x .75 O.D. x .060
16	710-0378	1	/P	Hex Scr. 5/16-18 x 2.50" Lg.*
17	736-0217	1	S	L-Wash. 3/8" Scr. H.D.
18	710-0555	1	S	Pilot Scr. 3/8-16 x .88" Lg.
19	736-0119	1	S	L-Wash. 5/16" Scr.*
20	712-0267	1	S	Hex Nut 5/16-18 Thd.*
21	712-0798	1	/P	Hex Nut 3/8-16 Thd.*
22	736-0217	1	S	L-Wash. 3/8" Scr. H.D.
23	738-0143	1	/P	Shld. Scr. .498" Dia. x .340" Lg.
24	756-0344	1	/P	V-Pulley .628 I.D. x 7.50 O.D.
25	736-0158	1	S	L-Wash. for 5/8" Scr.*
26	712-0221	1		Hex Ins. Jam L-Nut 5/8-18 Thd.
27	05510	1	S	Brake Brkt. Ass'y.
28	738-0129	1		Shld. Scr. .498" Dia. x 2.00" Lg.
29	756-0243	1		V-Pulley .875 0 I.D. x 10.12 O.D.
30	754-0194	1	S	"V"-Belt 1/2" x 45.0" Lg.
31	712-0116	1	S	Hex Ins. Jam L-Nut 3/8-24 Thd.
32	756-0240	1		FI-Idler w/ Flanges 3.0 O.D.
33	05531	1	S	Brake Linkage Ass'y.
34	712-0116	1	S	Hex Ins. Jam L-Nut 3/8-24 Thd.
35	756-0240	1		3.0" O.D. FI-Idler w/ Flanges
36	714-0104	1	S	Int. Cot. Pin 5/16" Dia.
37	738-0282	1		Shld. Scr. .625 Dia. x 2.750" Lg.
38	750-0227	1		Spacer .75 O.D. x 1.00" Lg.
39	05493	1		Blower Idler Brkt. Ass'y.
40	747-0149	1		Auger Clutch Rod .31" Dia. x 10.62 " Lg. .
41	710-0191	1	/P	Hex Bolt 3/8-24 x 1.25" Lg.
42	736-0217	1	S	L-Wash. 3/8" Scr. H.D.
43	07386	1		FI-Wash.
44	756-0241	1	S	Engine Pulley Double G roove
45	754-0131	1	S	"V"-Belt 3/8 x 35.5 0 Lg.
46	710-0237	1	/P	Hex Scr. 5/16-24 x .62" Lg.*
47	736-0242	1	/P	Bell-Wash. .345 0 I.D. x .88 O.D. x .060
48	05495	1		Drive Idler Brkt. Ass'y.
49	738-0281	1	S	Shld. Scr. .625" Dia. x .170"
50	736-0219	1	S	Bell-Wash. .40 I.D. x 1.12 O.D.
51	736-0264	1	S	FI-Wash. .34 I.D. x .750 O.D. x .05
52	737-0130	1	S	Pipe Nipple 1/2" Pipe Thd. x 3.00" Lg.
53	737-0132	1		3/8 Pipe Thd.

315-800-190 8 HP Snow Thrower (1985)
Blower Housing Assembly

Page 3 of 11

Ref #	Part Number	Qty	S/P/F	Description
54	736-0264	1	S	Fl-Wash. .340 I.D. x .62 O.D. x .62
55	751-0360	1	S	Throttle Control Wire Clamp
56	710-0899	1	S	Hex Sems Scr. #10-32 x .62" Lg.
	725-0954	1	S	Ignition Key (Not Shown)



315-800-190 8 HP Snow Thrower (1985)
Chute Assembly

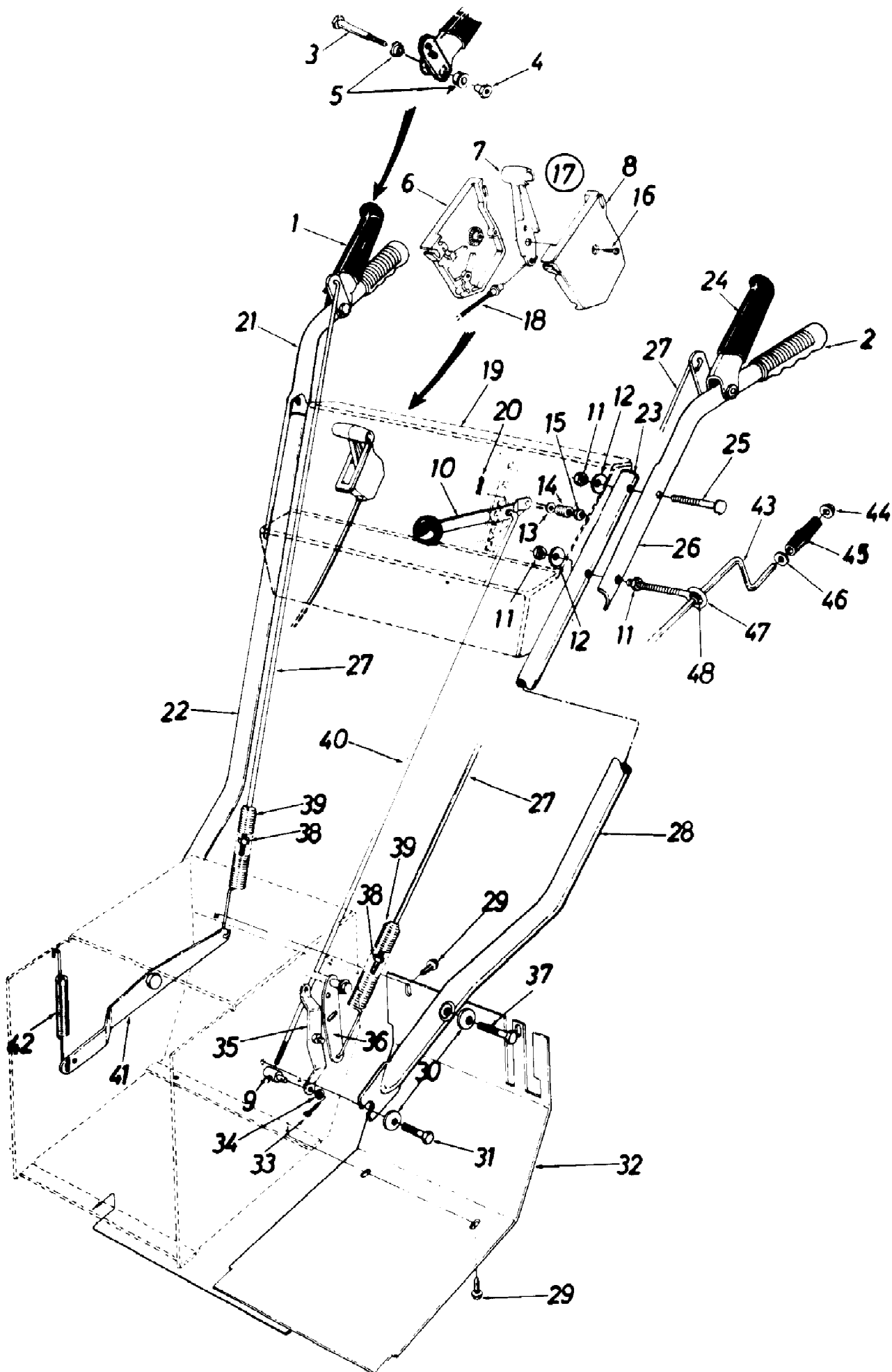
Page 5 of 11

Ref #	Part Number	Qty	S/P/F	Description
1	09966	1	S	Hand Knob Ass'y.
2	736-0242	1	/P	Bell-Wash. .345 0 I.D. x .88 O.D. x .060
3	736-0231	1	S	Fl. Wash. .312 I.D. x 1.125 O.D. x .125
4	712-0158	1	S	Hex Cent. L-Nut 5/16-18 Thd.
5	05225	1		Top Chute Ass'y.
6	710-0260	1	S	Carr. Bolt 5/16-18 x .62" Lg.
7	736-0179	1	S	FI-Wash. .53 0 I.D. x 1.25 O.D. x .100
8	05951	1		Chute Ass'y.
9	710-0276	1	/P	Carr. Bolt 5/16-18 x 1.00" Lg.
10	712-0107	1	S	Hex Cent. L-Nut 1/2-20 Thd.
11	05783	1		Chute Flange Keeper Ass'y.
12	714-0507	1	S	Cotter Pin
13	736-0234	1	/P	FI-Wash. .390" I.D. x 1.50" O.D.
14	736-0140	1	S	FI-Wash. .385" I.D. x .62" O.D.
15	741-0403	1	/P	Hex Bushing
16	05981	1		Chute Crank Ass'y.
17	710-0371	1	/P	Hex L-Scr. 5/16-18 x .88" Lg.
18	736-0242	1	/P	Bell-Wash. .345 0 I.D. x .88 O.D. x .060
19	756-0243	1		V-Pulley .875 0 I.D. x 10.12 O.D.
20	714-0126	1	S	#9 Hi-Pro Key 3/16 x 3/4 " Dia.
21	712-0267	1	S	Hex Nut 5/16-18 Thd.*
22	736-0119	1	S	L-Wash. 5/16" Scr.*
23	05244	1	S	Bearing Hsg. Self Aligning Brg
24	741-0185	1	S	Self Aligning Brg. .875 I.D.
25	711-0640	1	S	Stud 3/8-16 x 2.75" Lg.
26	736-0105	1	/P	Bell-Wash. .400 I.D. x .88 O.D. x .060
28	712-0267	1	S	Hex Nut 5/16-18 Thd.*
29	784-5010	1		Blower Hsg. Ass'y.
30	784-5038	1	S	Slide Shoe
31	736-0105	1	/P	Bell-Wash. .400 I.D. x .88 O.D. x .060
32	712-0342	1	/P	Hex Jam Nut 3/8-16 Thd.
33	710-0790	1	S	Carr. Bolt 3/8-16 x .62" Lg.
34	738-0276	1		Blower Axle
35	715-0118	1	S	Spring Pin Spiral 5/16" Dia x 1.75" Lg.
36	05812	1		Blower Fan Ass'y.
37	717-0297	1	S	Complete Gear Hsg. Half L.H. (Incl. Bearing)
38	714-0135	1	S	#91 Woodruff Key 1/4" x 3/4" Dia.
39	05463	1		26" Spirai Ass'y. L.H.
	05464	1		26" Spiral Ass'y. R.H.
40	712-0429	1	S	Hex Ins. L-Nut 5/16-18 Thd.
41	05136	1		Plastic Bushing
42	710-0198	1	S	Hex Sems Scr. 5/16-18 x .75"*
46	741-0244	1	S	Flange Brg. w/ Flats 1.0" I.D.
47	05845	1	S	Bearing Hsg. Spiral Hsg.
48	736-0250	1	/P	FI-Wash. 1.06 I.D. x 1.75" O.D. x .100
49	738-0490	1		Spiral Axle 26"
50	710-0891	1	/P	Hex Bolt 5/16-18 x 1.75" Lg.
51	721-0146	1	S	Oil Seal 1.50" I.D.
52	738-0275	1		Worm Gear Shaft
53	741-0182	1		Flange Brg. 1.503 0 I.D.
54	736-0266	1	S	FI-Wash. 1.50 I.D. x 2.00 O.D. x .030
55	717-0300	1	S	Double Threaded Worm Gear
56	741-0184	1		FI-Wash. 1.44 I.D. x 1.44 O.D. x .078

315-800-190 8 HP Snow Thrower (1985)
Chute Assembly

Page 6 of 11

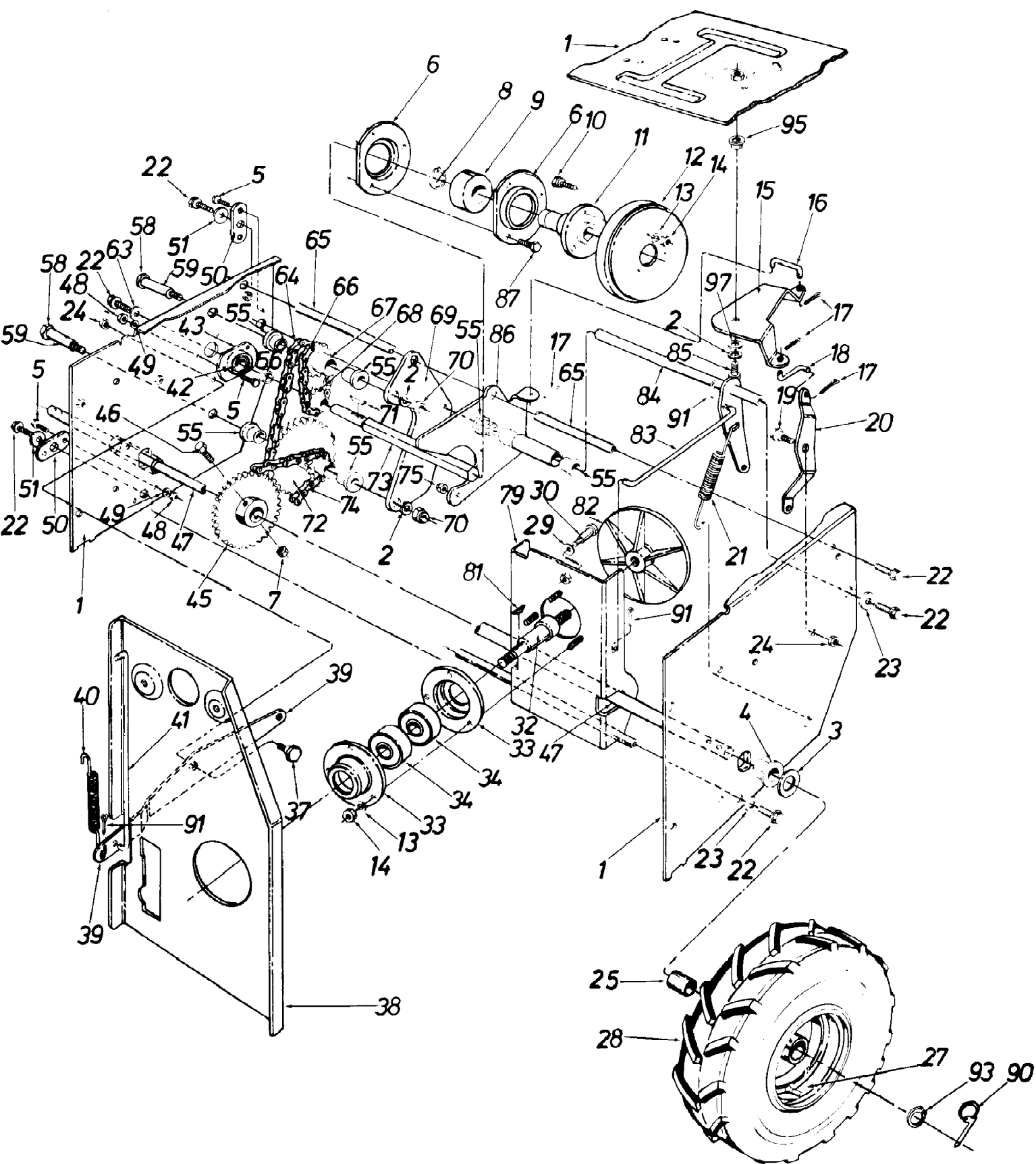
Ref #	Part Number	Qty	S/P/F	Description
57	736-0291	1	S	FI-Wash. .88 I.D. x 1.40 O.D. x .1 50
58	717-0299	1	S	Double Threaded Worm
59	741-0217	1	S	Sleeve Brg. .875 0 I.D.
60	717-0298	1	S	Complete Gear Hsg. Half R.H. (Incl. Ref. Nos. 51 & 53)
61	710-0376	1	/P	Hex Scr. 5/16-18 x 1.00" Lg.
62	721-0144	1	S	Gasket
63	721-0145	1	S	Oil Seal .875" I.D.
64	714-0126	1	S	#9 Hi-Pro Key 3/16 x 3/4 " Dia.
65	716-0111	1	/P	Snap Ring for .875" Dia. Shaft
66	714-0135	1	S	#91 Woodruff Key 1/4 x 3/4" Dia.
69	05000	1	S	Shave Plate 26"
70		1		UNKNOWN
72	736-0271	1	S	Wave Wash. 5/16" Scr.*
73	712-0429	1	S	Hex Ins. L-Nut 5/16-18 Thd.
74	784-5075	1		Gear Hsg. Support Plate
75	710-0528	1	/P	Hex Scr. 5/16-18 x 1.25" Lg.
76	710-0726	1	/P	Hex Wash. Hd. Self-Tap Scr. 5/16-18 x .75" Lg.
77	736-0291	1	S	FI-Wash. .88 I.D. x 1.40 O.D. x . 1 50
78	737-0175	1		Filler Plug
79	784-5076	1	S	Gear Hsg. Support Brkt



315-800-190 8 HP Snow Thrower (1985)
Handle Assembly

Page 8 of 11

Ref #	Part Number	Qty	S/P/F	Description
1	05988	1		Clutch Grip Ass'y. R.H.
2	720-0180	1	S	Grip
3	738-0560	1	S	Shoulder Bolt .374 Dia. x 1.53" Lg.
4	738-0561	1	S	Shld. Nut 1/4-20 Thd.
5	741-0402	1	S	Hex Flange Plastic Bearing .38" I.D.
6		1		Part of Ref. No. 17
7		1		Part of Ref. No. 17
8		1		Part of Ref. No. 17
9	711-0677	1	S	Adjustment Ferrule
10	05694	1		Shift Handle Ass'y.
11	712-0267	1	S	Hex Nut 5/16-18 Thd.*
12	736-0242	1	/P	Bell-Wash. .34" I.D. x .88" O.D.
13	736-0105	1	/P	Bell-Wash. .40" I.D. x .88" O.D.
14	732-0193	1	/P	Compression Spring
15	712-0116	1	S	Hex Ins. L-Nut 3/8-24 Thd.
16		1		Part of Ref. No. 17
17	831-0692	1	S	Throttle Control Box Ass'y.
18	746-0500	1	S	Throttle Control Wire
19	784-5002	1		Handle Panel Ass'y.
20	714-0104	1	S	Int. Cotter Pin 5/16" Dia.
21	749-0594	1		Upper Handle R.H.
22	749-0342	1		Lower Handle R.H.
23	731-0496	1		Plastic Plug
24	05987	1		Clutch Grip Ass'y. L.H.
25	710-0487	1	/P	Curved Carriage Bolt 5/16-18 x 2.0" Lg.
26	749-0593	1		Upper Handle L.H.
27	747-0461	1		Lockout Rod
28	749-0341	1		Lower Handle L.H.
29	710-0600	1	/P	Hex Wash. Hd. Self-Tap Scr. 5/16-24 x .50" Lg.
30	736-0105	1	/P	Bell-Wash. .40" I.D. x .88" O.D.
31	710-0555	1	S	Pilot Hex Scr. 3/8-16 x .88" Lg.
32	05517	1		Frame Cover
33	714-0507	1	S	Cotter Pin 3/32" Dia.*
34	736-0264	1	S	FI-Wash. .345 0 I.D. x .62 O.D. x .06
35	05522	1		Shifting Linkage Brkt.
36	05500	1		Drive Clutch Brkt. Ass'y.
37	710-0427	1	S	Hex Bolt 3/8-16 x 2.0" Lg.*
38	712-0324	1	/P	Hex Ins. L-Nut 1/4-20 Thd.
39	732-0184	1	/P	Ext. Spring .75" O.D. x 5" Lg.
40	711-0374	1		Shift Rod
41	05518	1		Auger Clutch Brkt.
42	732-0303	1	S	Ext. Spring .38" O.D. x 3.18" Lg.
43	05981	1		Chute Crank Ass'y.
44	726-0100	1	S	Push Nut 3/8" Rod
45	720-0171	1	S	Knob 3/8" Rod
46	736-0140	1	S	FI-Wash. .40" I.D. x .62" O.D.
47	747-0416	1	S	Eyebolt 5/16-18 x 5.0" Lg.
48	735-0218	1	S	Grommet



Ref #	Part Number	Qty	S/P/F	Description
1	05487	1		Frame Ass'y.
2	736-0217	1	S	L-Wash. 3/8" Scr.*
3	736-0163	1	S	FI-Wash. 1.03" I.D. x 1.62" O.D. x .03
4	741-0244	1	S	Flange Brg. 1.0" I.D.
5	710-0258	1	S	Hex Bolt 1/4-20 x .62" Lg.*
6	05794	1		Bearing Housing
7	712-0273	2	S	Hex L-Nut 5/16-24 Thd
8	716-0102	1	S	Snap Ring for 1.00" Dia Shaft
9	741-0301	1	S	Ball Brg. 25 mm x 52 mm x 15 mm
10	710-0198	1	S	Hex Sems Scr. 5/16-18 x .75" Lg.*
11	748-0281	1		Friction Wheel Adapter
12	05080	1	S	Friction Wheel Ass'y.
13	736-0119	1	S	L-Wash. 5/16" Scr.*
14	712-0267	1	S	Hex Nut 5/16-18" Thd.*
15	05521	1		Sliding Linkage Brkt.
16	747-0151	1	/P	Sliding Rod .31" Dia. x 2.00" Lg.
17	714-0507	1	S	Cot. Pin /32" Dia. x .75" Lg.*
18	747-0152	1		Shifting Linkage Rod .31" Dia. x 2.25" Lg.
19	738-0281	1	S	Shld. Scr. .625" Dia. x .170" Lg.
20	05522	1		Shifting Linkage Brkt.
21	732-0121	1	S	Extension Spring .73 O.D. x 4.31" Lg.
22	710-0538	1	/P	Hex L-Scr. 5/16-18 x .62" Lg.*
23	736-0264	1	S	FI-Wash. .345 I.D. x .75 O.D, x .060
24	712-0375	1	/P	Hex Cent. L-Nut 3/8-16 Thd.
25	741-0246	1		Bearing
27	734-1121	1		Wheel Rim Ass'y.
28	734-1153	1		Wheel Ass'y. Comp. 16 x 4.5 L.H.
	734-1152	1		Wheel Ass'y. Comp. 16 x 4.5 R.H. (Not Shown)
	734-0808	1	S	Tire Only
	734-0255	1	S	Air Valve
29	736-0105	1	/P	Bell-Wash.
30	738-0144	1	S	Shld. Scr.
32	738-0279	1		Drive Plate Spindle
33	08253	1	S	Bearing Housing
34	741-0919	1	S	Ball Brg. .787 I.D. x 1.85 O.D, x .56
37	738-0281	1	S	Shld. Scr. .625" Dia. x .170" Lg.
38	05491	1		Engine Brkt. Ass'y.
39	05518	1		Auger Clutch Brkt.
40	732-0303	1	S	Extension Spring .38 O.D. x 3.18" Lg.
41	747-0149	1		Auger Clutch Rod .31" Dia. x 10.62" Lg.
42	741-0133	1	/P	Ball Bearing
43	05034	1	S	Bearing Housing
45	713-0320	1		28 Tooth Sprocket Hub Ass'y.
46	710-0409	2	/P	Hex Scr. 5/16-24 x 1.75" Lg.
47	738-0548	1		Axle Free Wheeling
48	712-0287	1	S	Hex Nut 1/4-20 Thd.*
49	736-0329	1	S	L-Wash. 1/4" Scr.*
50	05523	1		Pivot Axle Brkt.
51	736-0264	1	S	FI-Wash. .345" I.D. x .75" O.D. x .060
55	748-0184	1	/P	Flange Brg. .630" I.D.
56	750-0277	1		Spacer. 51" I.D. x .69" O.D. x .44

315-800-190 8 HP Snow Thrower (1985)
Wheel Drive Assembly

Page 11 of 11

Ref #	Part Number	Qty	S/P/F	Description
58	710-0629	1		Hex Scr. 3/8-24 x 2.75" Lg.
59	750-0275	1		Sprocket Hub Tubing 1.900" Lg.
63	736-0242	1	/P	Bell-Wash. .345" I.D. x .88 O.D. x .060
64	713-0270	1		#41 Chain 1/2" Pitch x 43 Links
	713-0723	1	S	Master Link
65	738-0278	1		Sliding Support Axle
66	713-0199	1		#41 Chain 1/2" Pitch x 19 Links
	713-0723	1	S	Master Link
67	713-0193	1	S	9 and 14 Teeth Sprocket Hub Ass'y.
68	748-0204	1	/P	8 Teeth Sprocket
69	05520	1		Chain Support Brkt.
70	712-0116	1	S	Hex L-Jam Nut 3/8-24 Thd.
71	714-0129	1	S	#9 Hi-Pro Key 3/32 x 5/8" Dia.
72	713-0194	1	S	9 and 32 Teeth Sprocket Hub Ass'y.
73	738-0280	1		Hex Shaft
74	713-0269	1	S	#420 Chain 1/2" Pitch x 37 Links
	713-0154	1	S	Master Link
75	712-0896	1		Hex Ins. Jam L-Nut 1/4-28"
79	05497	1		Drive Plate Mtg. Brkt. Ass'y.
81	714-0388	1	S	#61 Hi-Pro Key 3/16 x 5/8" Dia.
82	717-0302	1	S	Aluminum Drive Plate
83	747-0150	1		Drive Clutch Rod .31" Dia. x 7.38" Lg.
84	05500	1		Drive Clutch Brkt. Ass'y.
85	710-0253	1	S	Hex Scr. 3/8-16 x 1.00" Lg.
86	05502	1		Sliding Brkt. Ass'y.
87	710-0195	1	S	Hex Scr. 1/4-28 x .62" Lg.
90	714-0151	1		Klick Pin
91	714-0104	1	S	Internal Cot. Pin 5/16 Dia.
93	716-0102	1	S	Snap Ring 1.0" Shaft
95	738-0347	1	S	Shld. Spacer 5/8" I.D.
97	736-0227	1	S	FI-Wash.